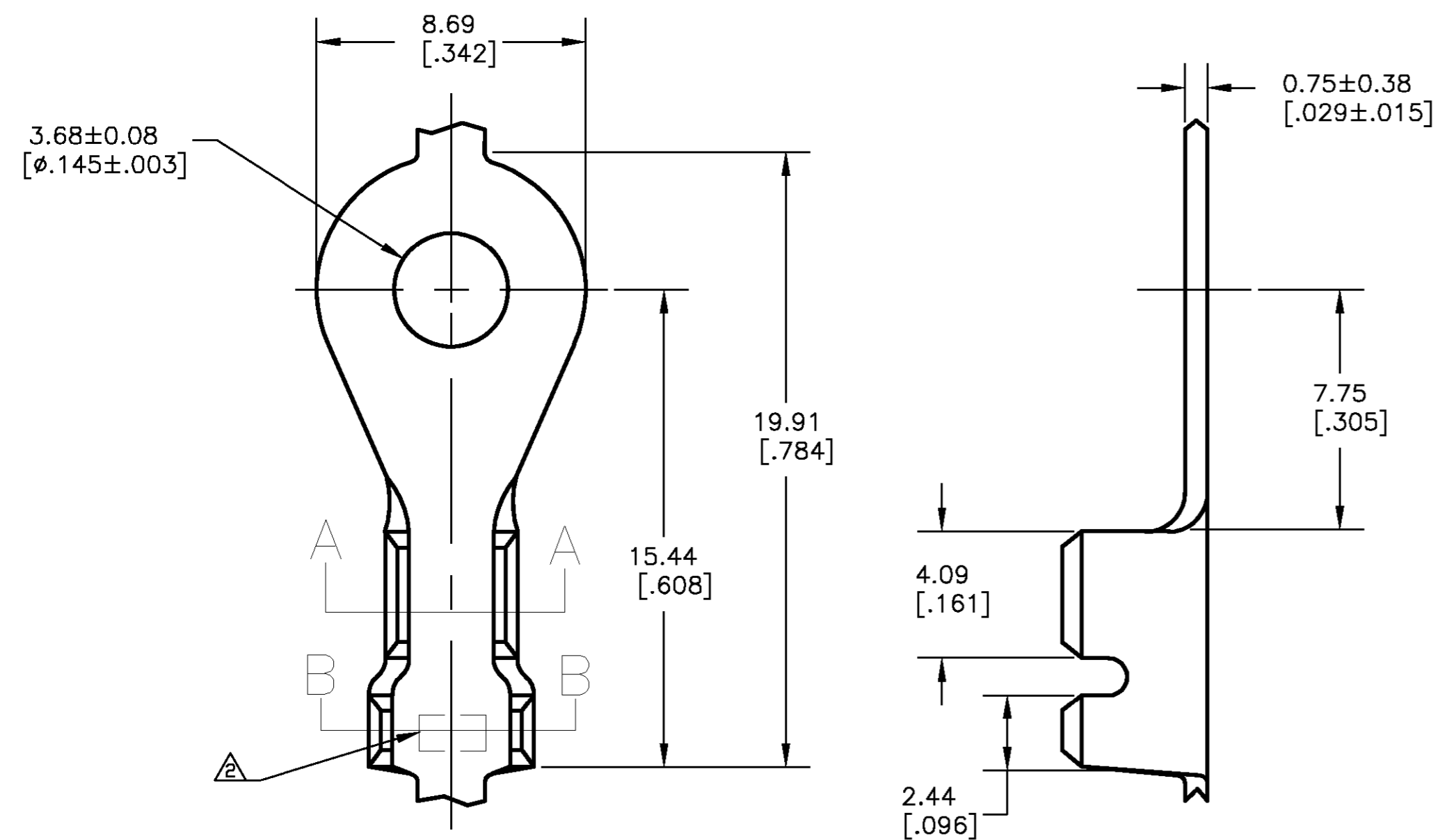
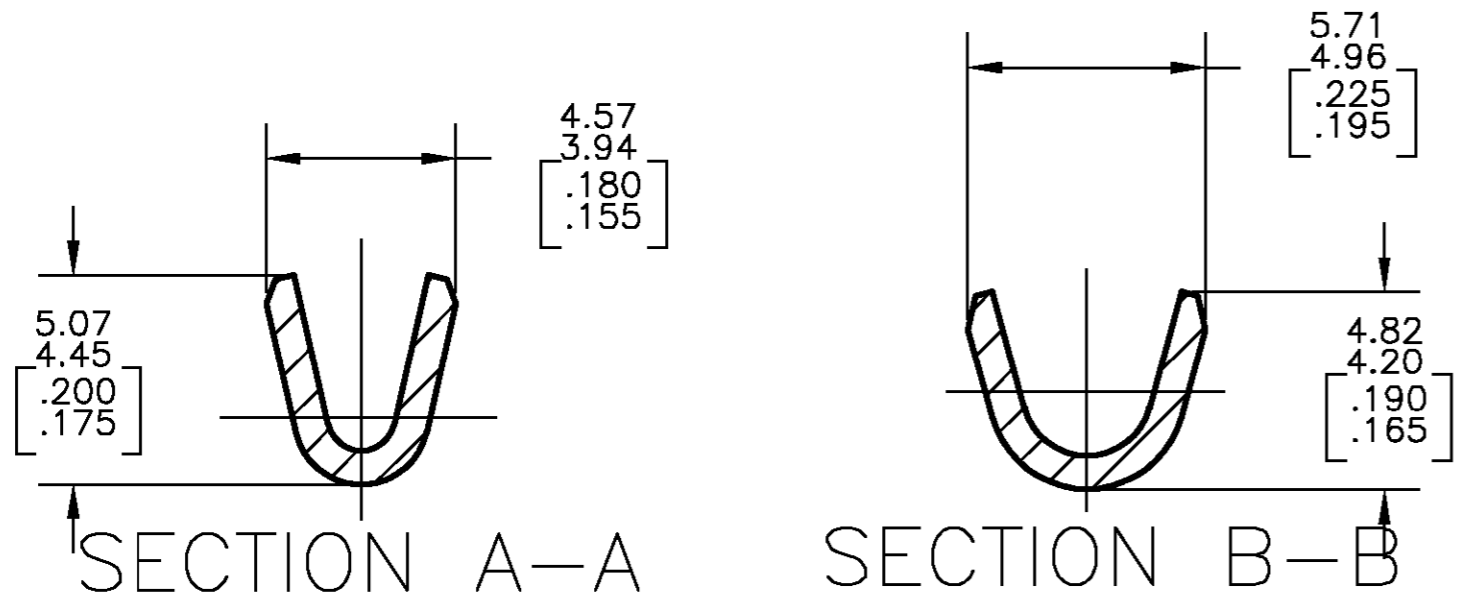


THIS DRAWING IS UNPUBLISHED. RELEASED FOR PUBLICATION
 BY TYCO ELECTRONICS CORPORATION. ALL RIGHTS RESERVED.

LOC	DIST	REVISIONS			
P	LTR	DESCRIPTION	DATE	DWN	APVD
AF	50	Y	REDRAWN PER OG3A-0198-01	12FEB01	MF DD



- 1 CONTINUOUS STRIP ON REELS.
- 2 AMP STAMP: AMP FOR 40723, AMP* FOR 40723-1.
- 3 0.002032 [.000080] MIN TIN PLATE.



H03 PHOSPHOR BRONZE	0.8-2.0mm ² [18-14] AWG	2.54-3.56 [.100-.140] DIA	40723-1
082 BRASS			40723
MATERIAL	WIRE RANGE	INSULATION RANGE	PART NUMBER

THIS DRAWING IS A CONTROLLED DOCUMENT.		DWN MICHAEL S. FEHER 12FEB2001	Tyco Electronics Corporation Harrisburg, PA 17105	
DIMENSIONS: mm [INCHES]		CHK DONALD DECKER 04APR2001	AMP	
TOLERANCES UNLESS OTHERWISE SPECIFIED:		APVD DONALD DECKER 04APR2001	NAME M3.5 - #6 STUD, TERMINAL, TONGUE, RING	
0 PLC ± -	1 PLC ± -	PRODUCT SPEC	SIZE	CAGE CODE
2 PLC ± 0.25[.010]	3 PLC ± -	APPLICATION SPEC	A2	00779
4 PLC ± -	ANGLES ± 1°	WEIGHT	DRAWING NO 40723	
MATERIAL SEE TABLE	FINISH 3	CUSTOMER DRAWING	RESTRICTED TO	
SCALE 6:1			SHEET 1 OF 1	REV Y

40723